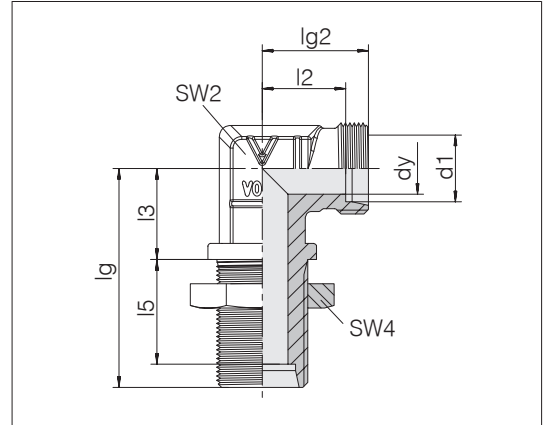


Bulkhead elbows

Tube coupling: 24° in acc. with ISO 8434-1



Series	Tube OD	Pressure	dy	lg	lg2	l2	l3	l5	SW2	SW4	kg/100 ca.	Order-No.	Designation
L	6	PN 315	4	48	19	12	14	27	12	17	4.9	0138002066	24-BHELN-L6
L	8	PN 315	6	51	21	14	17	27	12	19	6.1	0138052066	24-BHELN-L8
L	10	PN 315	8	53	22	15	18	28	14	22	7.9	0138102066	24-BHELN-L10
L	12	PN 315	10	56	24	17	20	29	17	24	9.6	0138152066	24-BHELN-L12
L	15	PN 315	12	61	28	21	23	31	19	30	16.9	0138202066	24-BHELN-L15
L	18	PN 315	15	64	31	23.5	24	32.5	24	36	25.5	0138252066	24-BHELN-L18
L	22	PN 160	19	72	35	27.5	30	34.5	27	41	31.8	0138302066	24-BHELN-L22
L	28	PN 160	24	77	38	30.5	34	35.5	36	46	46.2	0138352066	24-BHELN-L28
L	35	PN 160	30	86	45	34.5	39	36.5	41	55	76.9	0138402066	24-BHELN-L35
L	42	PN 160	36	90	51	40	43	36	50	65	112.3	0138452066	24-BHELN-L42
S	6	PN 630	4	53	23	16	17	29	12	19	7.6	0138502066	24-BHELN-S6
S	8	PN 630	5	54	24	17	18	29	14	22	10.2	0138552066	24-BHELN-S8
S	10	PN 630	7	57	25	17.5	20	29.5	17	24	12.4	0138602066	24-BHELN-S10
S	12	PN 630	8	59	29	21.5	21	30.5	17	27	16.0	0138652066	24-BHELN-S12
S	14	PN 630	10	63	30	22	23	32	19	30	19.6	0138702066	24-BHELN-S14
S	16	PN 400	12	64	33	24.5	24	31.5	24	32	23.8	0138752066	24-BHELN-S16
S	20	PN 400	16	74	37	26.5	30	33.5	27	41	39.9	0138802066	24-BHELN-S20
S	25	PN 400	20	81	42	30	34	35	36	46	60.9	0138852066	24-BHELN-S25
S	30	PN 400	25	90	49	35.5	39	37.5	41	50	93.2	0138902066	24-BHELN-S30
S	38	PN 315	32	96	57	41	43	37	50	65	144.9	0138952066	24-BHELN-S38

Bulkhead material thickness
max. 16 mm.

Example for comp. :
WSV06LOMD
ISO 8434-1-BHELN-L6-St